

## Brigade Electronics Plc - VBV-485C/481C

### Features

1. Waterproof
2. Infra-red night vision up to 8m
3. Powered by monitor

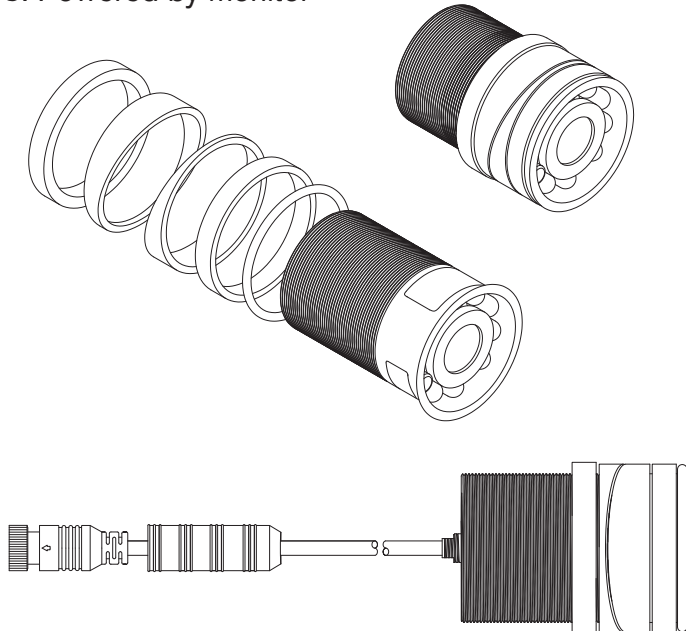


Image device	1/3" Sharp sensor CCD	
TV System	NTSC	PAL
Effective pixels	512x492	512x582
Sensing area	4.9mm x 3.7mm	
Scanning system	2:1 interlace	
Sync system	Internal	
Resolution	420TV lines	
Horizontal sync frequency	15,734KHz	15,625KHz
Vertical sync frequency	60Hz	50Hz
Minimum illumination	0 Lux / F2.0	
Video output	1.0Vp-p, 75Ohm	
Gamma consumption	0.45	
AGC	Auto	
S/N ratio	Better than 48dB	
White balance	Auto	
Electronic shutter	1/60	1/50
BLC	Auto	
Current consumption	Max.190mA	
Power supply	DC12V	
Operating temperature	-20°C ~ 70°C RH95%MAX	
Storage temperature	-30°C ~ 80°C RH95%MAX	
Lens angle	112°	
Audio	No	

